



ROSENSTEINER
HOOF TRIMMING CRUSHES
OUR EYES
ON YOUR SUCCESS



KNOWLEDGE COOPERATION EXPERIENCE



NETWORK

We have ambitious goals. We don't just regard ourselves as machine builders that weld steel profiles to units. Rather, we are the centre of a network that tirelessly transforms ideas into highly efficient solutions.

To this end, we maintain the best relationships with customers, employees, sales partners, suppliers, veterinarians and even universities.

This network motivates each individual to commitment and ideas, which are constantly transformed into practicable innovations in our development department.

Suppliers

This results in hoof care systems with high aspirations for our customers:

- Leading in quality
- Economical due to its rapid pace of work and long service life
- Comfortable for humans and animals
- Certainly above and beyond the standards
- Efficient in all respects

Because we meet these requirements for our customers, we have achieved market leadership in many European countries and are continuing to expand it.

COMFORTABLE GENTLE ERGONOMIC

The passage into the hoof trimming crush is made continuously over the same terrain, without steps and obstacles. Simple and comfortable to use.

Quick, clean and consecutive trimming of all four hooves at an optimum working height is only possible with the tipping system. Tools are only used once, there are no interruptions for securing the legs. The working area is only 2 m, so the distances are minimal.

Our tipping crushes guarantee

- clean working conditions, no dung in the working area
- further examinations and treatments of udder and abdomen possible (the tipping crush system comes from surgical technology)
- the highest working comfort with demonstrably the lowest stress load
- easier and faster driving in due to continuous terrain
- immediate relief of painful hooves and joints even of older cattle

3 MODELS FOR EVERY REQUIREMENT

Kipp Top II

- Fast, simple, comfortable
- Ideal care system for modern farmers
- Novel safety gear, trapping gate and simple operation for comfortable and fast work

Red Q

- The professional tool for the high demands of farmers and professional hoof trimmers
- Time required from trapping to fastening of all four hooves less than one minute
- Especially suitable for beef cattle

RS-Q

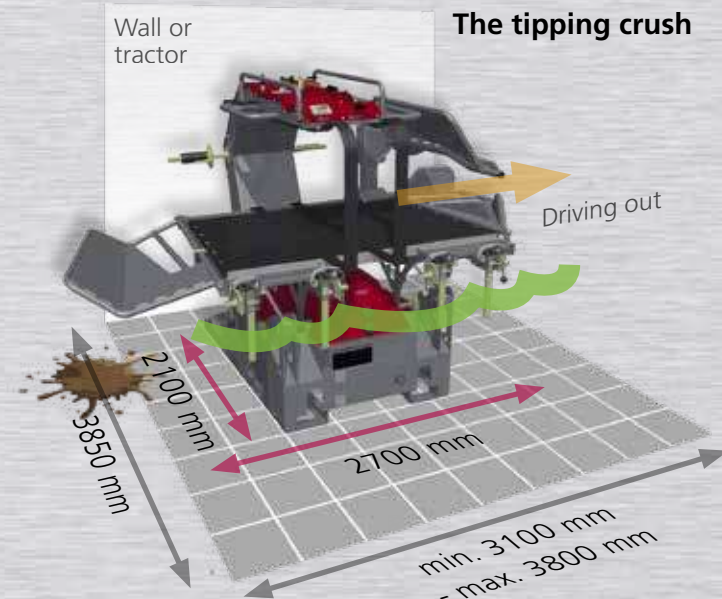
- The innovative hoof trimming and tipping system for real professionals!

RS-Q Trailer/Truck & Kipp Top II Trailer

- The most flexible system solution for professional hoof trimmers

THE
TIPPING
SYSTEM

ON A
LYING
ANIMAL



SIMPLE PROVEN FLEXIBLE

Our walk-through crushes make it possible to work with standing animals, which has been tried and tested in many countries. They promote functional hoof care and are anatomically designed around the animal. They guarantee optimum working heights for the front and rear legs.

Swing-out front leg holders and the two-stage rear leg lift result in the best working positions and meet the requirements of the most varied working habits while at the same time protecting the animal.

Our walk-through crushes guarantee

- functions that are often only fulfilled by complex, hydraulic boxes
- maximum anatomical sophistication for gentle care
- upright working posture for the hoof trimmer

3 MODELS FOR EVERY REQUIREMENT

Top 5

- The trimming crush for dairy cattle proven over 1,000 times
- Ideal for the 5 steps of functional hoof trimming

Red 5

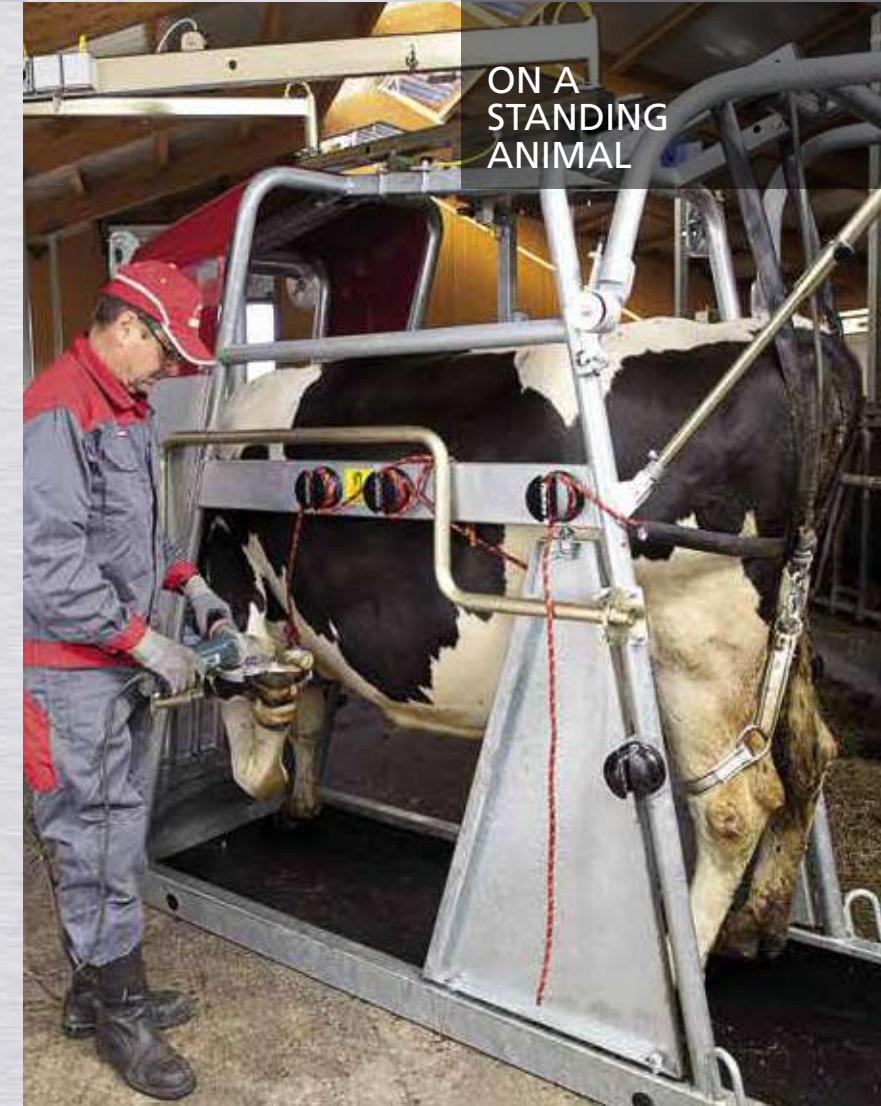
- The hoof trimming crush, which completely simplifies and speeds up the walk-through system
- Highest performance for the farmer
- Novel catching device for all cattle

Bull Top

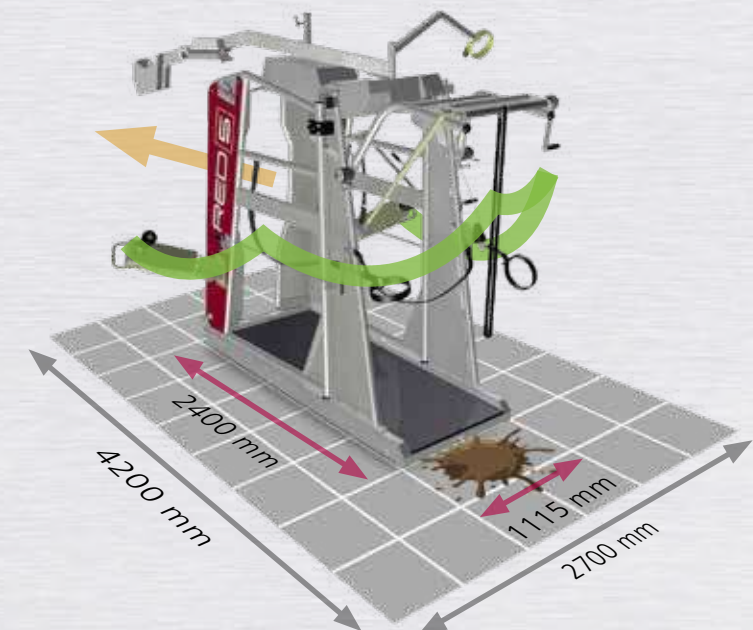
- The robust walk-through crush for beef cattle and breeding bulls up to 1500 kg
- With familiar Rosensteiner comfort and safety

THE
WALK-THROUGH
SYSTEM

ON A
STANDING
ANIMAL



The walk-through crush



KIPP TOP II

THE MODERN CARE SYSTEM



THE TIPPING STAND, TRIED AND TESTED FOR MORE THAN 35 YEARS, NOW IN A SENSATIONAL NEW EDITION!

Much faster work, more comfort and economy thanks to a completely new catching device that opens to the ground and across the entire width, as well as a trapping gate. This makes catching child's play and prompt departure possible.

The Kipp Top II is the universal trimming crush for all dairy and beef cattle.

Intuitively placed controls at a comfortable height guarantee fast processes and up to 50% shorter working distances. Hydraulic harness tensioning as standard and many other highlights ensure that you can enjoy profitable work.

With its mounting points and compact dimensions, the Kipp Top II can be perfectly integrated into the barn as a trimming point. The standard three-point hitch, stacker and pallet truck hitch also allow for easy transportation.

Important note: The Kipp Top II as stationary version is not intended for longer transport distances on the three-point hitch! We recommend the mobile version, if transport is frequently necessary.

Professional Mobility

Kipp Top II Trailer

- Professional equipment - techn. data on our homepage



What our customers value:

- Fast and easy entry thanks to new catching device and trapping gate.
- Central operating system, self-explanatory.
- Easy transport and service.



TECHNICAL DATA

Outer dimensions (L/W/H)	2000/2150/2100 mm (Transport dimension)
Recommended animal size	Height at withers: up to 1750 mm Shoulder width: up to 750 mm Animal weight: 300-1000 kg
Hitch	Cat II three-point hitch, fork lift device 4-sided truck lift 2-sided
Electric supply	230 V / 50Hz
Drive	Electrohydraulic 1,8 kW
Surface	Hot-dip galvanised, powder-coated
Reclining area	Rubber mat Cow Comfort 30 mm

Serial equipment

- Head catching device (open mechanical sliding gate to the bottom allows for any head position for the simplest drive-in)
- Hydraulic abdominal harness fastener
- Central operation from the workstation
- Closed drive-in bar for faster drive in
- Three-point Cat II, forklift truck mounting, 4-sided, Pallet truck mounting, 2-sided
- High-quality Bosch Rexroth hydraulic power unit with 1.8 kW electric motor
- Cow Comfort 30mm rubber mat
- 4 leg holders \varnothing 40mm with chain lock, can be retightened, self-locking height adjustment, extremely rapid
- Complete belt system (abdominal belts, leg belts)
- Tool box with 3 sockets
- Screw-on points for floor fixing
- Easily accessible service openings
- Fully galvanised base frame

Types

Kipp Top II Basic

- As per serial equipment

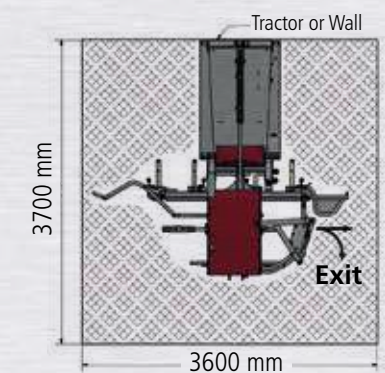
Kipp Top II Comfort

- Mechanical trapping gate
- Toolbox for tools (2 x angle grinders, 2 x knife holders)

Kipp Top II Professional

- Hydraulic trapping gate
- Toolbox for tools (2 x angle grinders, 2 x knife holders)
- Emergency program connection to tractor for external hydraulics (in case of power failure)

Spatial requirement



THE HOOF TRIMMING CRUSH REVOLUTION



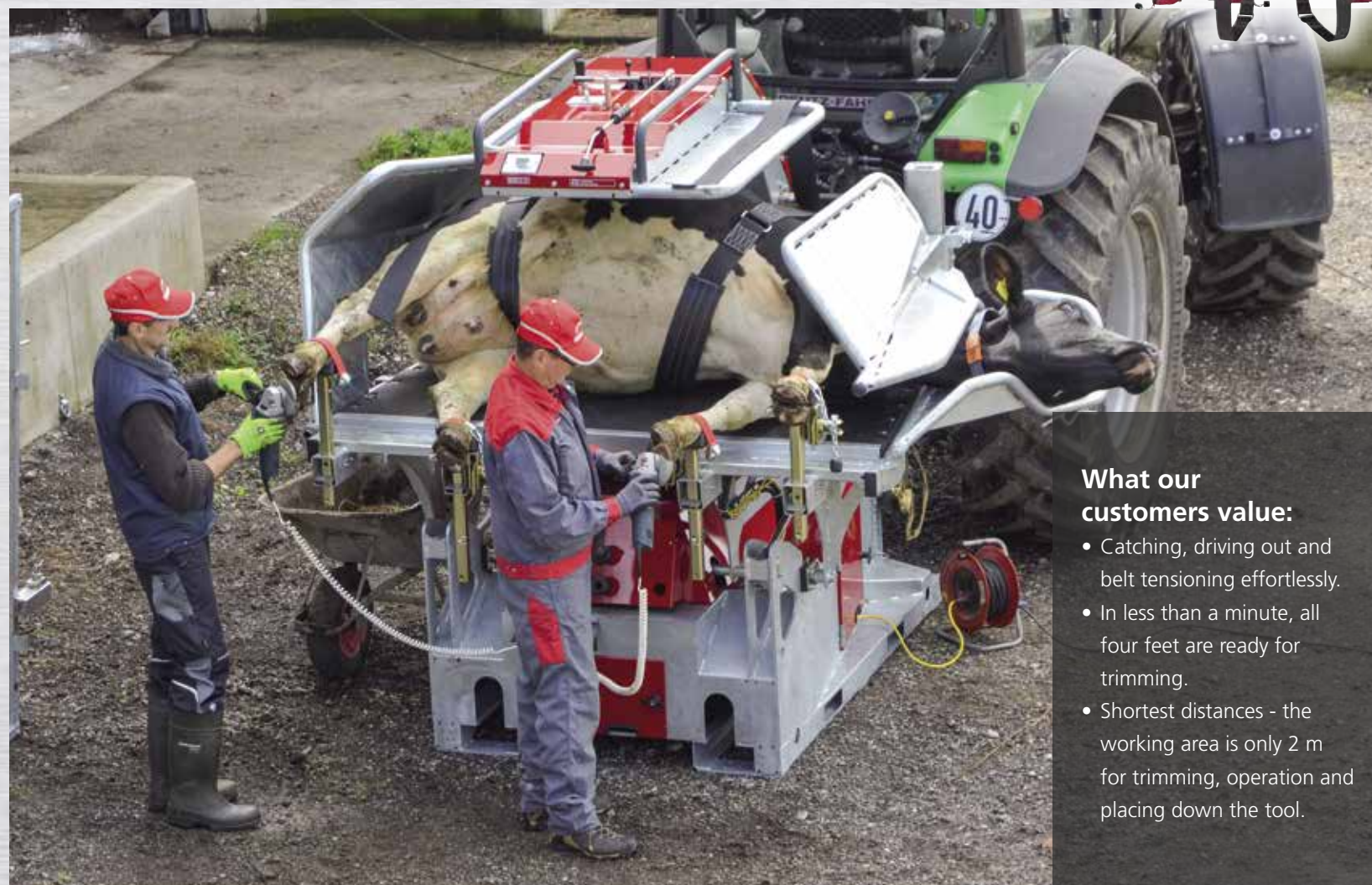
SPEED AND SAFETY

The processes for walking in, securing and tipping are controlled hydraulically from the central control panel. The hydraulic head catching device takes into account any height of the head posture. The hydraulically operated trapping gate gives a small nudge into the correct position in the crush.

Then the catching device also closes hydraulically. All operating elements are arranged centrally and intuitively. This results in exceptionally comfortable and time-saving operation.

Outstandingly fast, the complete securing of a cow including all four legs **is possible in under one minute (!)**. And the pleasant thing about it: all this without stress and strain.

The central control panel and the toolbox are practical. Three sockets and holders for two angle grinders and two knives ensure a tidy workplace with extremely short distances.



What our customers value:

- Catching, driving out and belt tensioning effortlessly.
- In less than a minute, all four feet are ready for trimming.
- Shortest distances - the working area is only 2 m for trimming, operation and placing down the tool.

TECHNICAL DATA

Outer dimensions (L/W/H)	2030/2100/2300 mm (Transport dimension)
Recommended animal size	Height at withers: 1750 mm Shoulder width: 750 mm Animal weight: 300-1000 kg
Hitch	Cat II three-point hitch, 4-sided forklift truck mounting
Drive	Electro-hydraulic 230V/2.2 kW
Reclining area	Rubber mat Cow Comfort 30 mm
Surface	Hot-dip galvanised, powder-coated
Unladen weight	920 kg
Lifting force	1200 kg

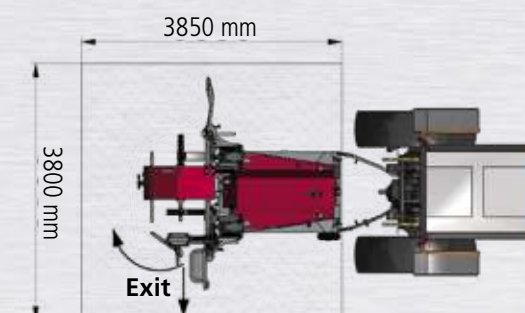
Serial equipment

- Hydraulic trapping gate
- Hydraulic head catching device
- Hydraulic abdominal harness fastener
- Hydraulic lifting wall
- Toolbox with tool holder for 2x angle grinders, 2x knives and 3 sockets
- Cat II three-point hitch
- 4-sided forklift truck mounting
- Emergency program connection for external hydraulics
- 4 leg holders Ø 40mm with chain lock, can be retightened, self-locking height adjustment, extremely fast

Complementary equipment

- Floor mounting set
- Bracket for trapping grid set
- Operation of hydr. trapping gate from behind
- "Hoof Trimming Comfort" trapping grid set
- Adapter for front and yard loaders

Spatial requirement



Red Q leg holder

A completely new design allows the legs to be attached quickly and securely in just a few seconds without any exertion of force, while at the same time protecting the animal. The closure can be retightened at any time and released again in a matter of seconds.





THE WALK-THROUGH CRUSH FOR MAXIMUM EFFICIENCY

GENIUS SIMPLE RAPID

Faster, more comfortable and more flexible. The Red 5, based on the award-winning and proven Top 5, represents a groundbreaking innovation in the field of hoof trimming crushes.

A completely redesigned catching device, which opens across the entire width including the frame, makes it possible to care for all dairy and beef cattle. It can also be operated quickly and effortlessly, in fact electrically from any position around the crush.

The Red 5 is the world's first hoof trimming device that adapts to the size of the animal thanks to the innovative catching device. This means the best ergonomics and safety for trimmers and animals alike, whether large or small cattle.

Forefoot winches and rear foot lifts are operated electrically and effortlessly. As a rule, the first foot is ready for trimming in a comfortable working position within 45 seconds. The front foot at a height of 75 cm and the rear at 110 cm. The machine thus offers the most comfortable working heights in its class.

The Red 5 is a unique hoof trimming crush that offers the performance of heavy, technically overloaded hoof trimming boxes that are more than twice as expensive. And this with the simplest handling and maximum protection of the most important resource of a dairy farm, the dairy cows.

With the new Rosensteiner Red 5, hoof trimming becomes faster, more energy-efficient and more comfortable, thus making a massive contribution to the economic efficiency of milk production.



What our customers value:

- The revolutionary, fully opening catching device for all cattle.
- A working speed not yet known from this class.
- Sensational performance at an economical price.



TECHNICAL DATA

Outer dimensions (L/W/H)	2400/1250/2400 mm
Recommended animal weight	450-950 kg
Hitch	Cat II three-point hitch, pallet truck mounting at head end, can be picked up laterally with forklift forks
Electric supply	380V, 50Hz
Surface	Hot-dip galvanised, powder-coated
Unladen weight	610 kg
Passage width	75 cm

Serial equipment

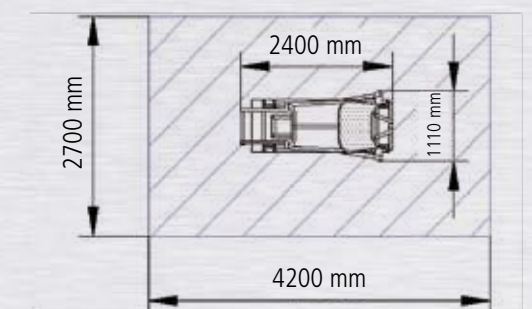
- Electric hindfoot winch, 500 kg
- Electric forefoot winch, can be swivelled out
- Service arm with LED lighting and flex holder
- Non-slip rubber floor
- Head catching device with electric drive
- Rear underfoot bar
- Rear foot protection with articulated belt
- Chest strap with quick release
- Three-point hitch with upper link chain
- Fully galvanised base frame

Complementary parts

- Hand transport wheels
- Additional wheels for trailer loading
- Scales
- "Hoof Trimming Comfort" trapping grid set



Spatial requirement



TOP 5

THE CLASSIC TRIMMING CRUSH FOR DAIRY COWS

Top 5 is the hoof trimming crush, which enables the 5 steps for functional hoof trimming like no other. It is anatomically built around the animal.

The Top 5 allows every hoof trimmer to choose their preferred working method, whether working with a knife or angle grinder, with or without underfoot fixing. All foot holders make maximum use of the anatomical movement space of the animal and bring the hoof into an optimal working position for the trimmer.

TECHNICAL DATA

Outer dimensions (L/W/H)	2400 x 1250 x 2100 mm (Basic) 2400 x 1250 x 2400 mm (Comfort/Professional)
Recommended animal weight	400 - 900 kg
Surface	Galvanized
Hitch	Cat I three-point hitch
Passage width	70 cm
Unladen weight	395 - 477 kg

Serial equipment

- Fully galvanised base frame
- Rubber mat - hygienic, non-slip
- Head catching device
- Left and right front leg winches – swivelling
- Rear leg lift using a rope winch
- Rear underfoot bar with safety crank
- Safety elements (chest straps, knee ropes, thigh ropes)
- 3-point hitch + upper link chain
- Exit protection (removable without tools)

Equipment packages

Basic

- as per serial equipment

Comfort

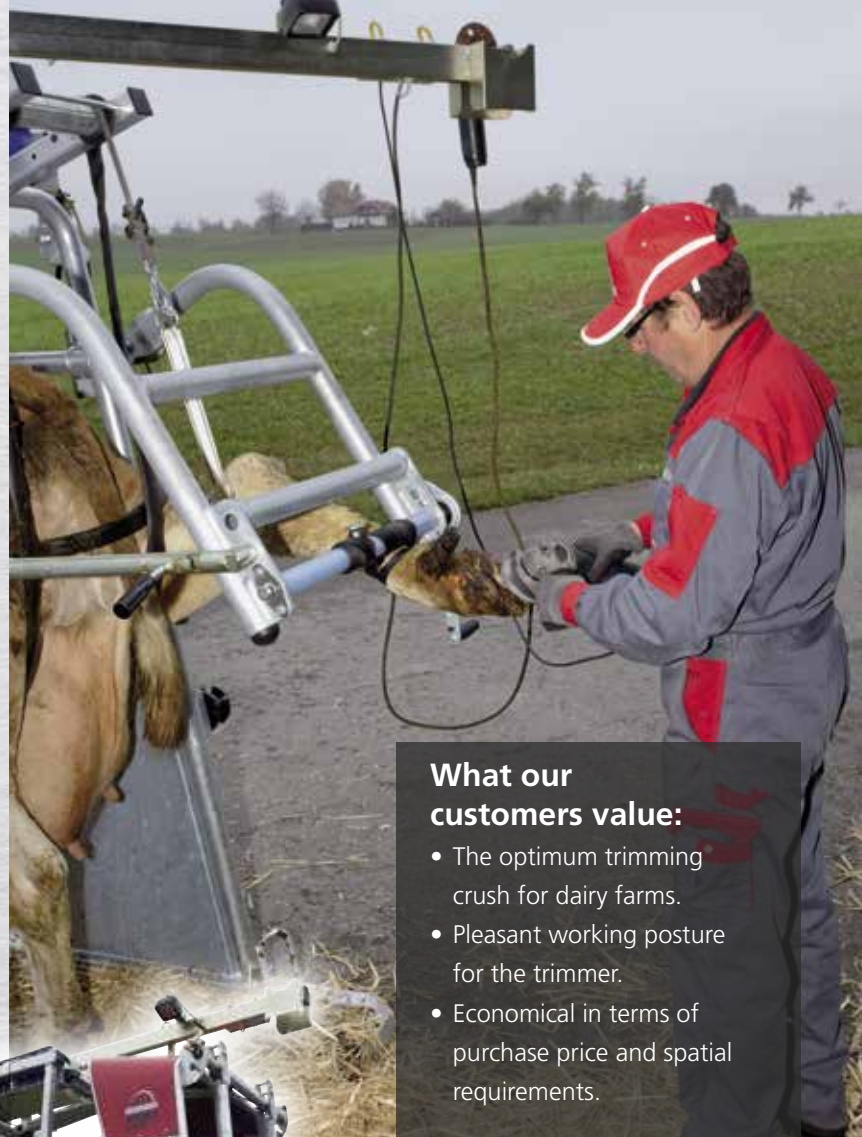
- Electric rear leg lift 500 kg

Professional

- Electric rear leg lift 500 kg
- Safety barriers
- Service arm with LED lighting

Complementary parts

- All complementary parts can be found on www.rosensteiner.at



What our customers value:

- The optimum trimming crush for dairy farms.
- Pleasant working posture for the trimmer.
- Economical in terms of purchase price and spatial requirements.



BULL TOP

THE CLASSIC FOR BULLS

With the Bull Top you can catch even unruly animals comfortably and safely. Due to its closed construction, even boisterous animals cannot avoid their trimming.

The front foot holders, which have been tried and tested thousands of times, also enable these hooves to be trimmed perfectly.

Modern pressure rollers and safety cranks ensure slow lowering even under load.

THE BULL TOP IS AVAILABLE IN TWO SIZES

TECHNICAL DATA

Bull Top Basic S	2150 x 800 x 1800 mm (inner dimension)
Bull Top Basic M	2150 x 900 x 1800 mm (inner dimension)
Recommended animal weight	700 - 1500 kg
Passage width	80 / 90 cm (S/M)
Surface	Hot-dip galvanised
Unladen weight	548 / 580 kg (S/M)

Serial equipment

- Fully galvanised base frame
- Head Gate catching device, hand lever or automatic
- Left and right front leg winches – swivelling
- 2-stage back leg lift
- Rear underfoot stirrup with safety crank
- Safety elements (chest harness with winch, knee and thigh chain with protective tube)
- Rubber mat - hygienic, non-slip
- Safety barrier
- Bracket for weighing rods

Complementary parts

- Electric rear leg lift 230V/500kg
- Service arm with lighting
- Hand transport wheels
- "Hoof Trimming Comfort" trapping grid set
- Scales



What our customers value:

- Safety even with heavy, boisterous animals.
- The Head Gate, the classic American catching device.
- Attractive equipment all the way up to the service arm.





SPECIAL HOOF TRIMMING CRUSHES

THE INNOVATIVE HOOF TRIMMING AND TIPPING SYSTEM FOR REAL PROFESSIONALS!

SPEED – COMFORT – SAFETY

- Simple, intuitive operation: every handle is in place!
- No need to touch the animal: catch it, put on the harness, fasten the leg hydraulically!
- From the first step into the crush to all 4 hooves in working position in 30 seconds!



The new RS-Q is the result of consistent further development and 35 years of experience with the tipping system. The RS-Q, developed together with experienced professional hoof trimmers, offers outstanding speed and throughput, combined with maximum animal welfare and simple operation.



Equipment features

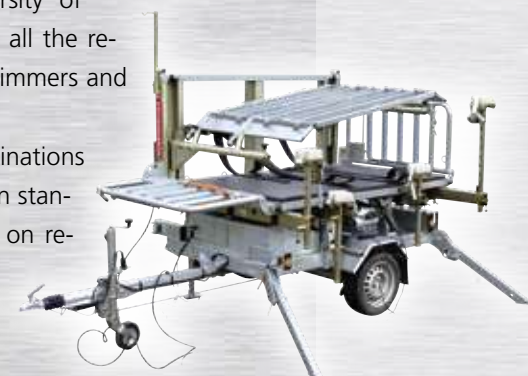
- Hydraulic trapping and catching system for absolutely the fastest capture
- Hydraulic belt system, automatically adjusts to the size of the animal
- Hydraulic leg holder system, particularly gentle and firm hold
- Intuitive, simple operation for short working distances and the very best comfort
- Many more customised equipment options possible!



TECHNICAL DATA

Outer dimension (transport dimensions, L/W/H)	3790/1770/1930 mm mobile version 2450/1850/1900 mm stationary version (L/B/H)
Surface	Hot-dip galvanised
Electric supply	230 V

Standard equipment and accessories at www.rosensteiner.at/en



VET PRO

THE POWERFUL TREATMENT CRUSH FOR CATTLE

The VET PRO is a universal medical and surgical crush, which was developed together with Prof. Dr. Alexander Starke from the Faculty of Veterinary Medicine at the University of Leipzig. Without any compromises, all the requirements of veterinarians, hoof trimmers and farmers are combined here.

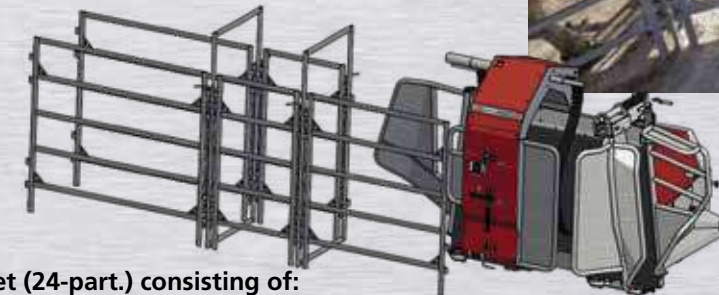
Both hoof care and complex examinations and operations can be performed on standing and lying animals, depending on requirements and working habits.

TRAPPING GRID SET

"HOOF TRIMMING COMFORT" TRAPPING GRID SET

- Specially developed for driving to hoof trimming
- Easy to set up and transport
- Perfect as a mobile as well as fixed mounted driving solution
- As a perfectly combined set or also individually combinable

During hoof trimming, often as much as 50-60 % of the time is spent on driving the animals in. With a suitable passageway you can save a lot of time and avoid even more stress for humans and animals.



Driving grid set (24-part.) consisting of:

1600 mm grid	2 units
1300 mm grid	2 units
800 mm grid	2 units
Connecting bow 700/800 screwed adjustable	2 units
Connecting bolts	8 units
Chains for driving grids	8 units

TIME-SAVING ENERGY-SAVING STRESS-FREE



What our customers value:

- Stress during hoof trimming is reduced, throughput and safety increased.
- Speedy and tool-free assembly.
- Little space required for storage and transport.
- Low weight.

THE FUNCTIONAL HOOF TRIMMING STATION

An own, well thought-out trimming station with a modern hoof trimming crush makes it possible to react quickly to lame cows and facilitates routine hoof trimming. This keeps the health and performance of the animals high and helps to earn money.

Checklists, practical examples and valuable information on the subject of trimming stations are available for you to download from our homepage.

www.rosensteiner.at/en

Rapid detection of lameness is very important - best to check daily when milking - so you can act quickly and save a lot of money!

- Regular assessment of lameness (assessment while standing and walking).
- Immediate examination of lame animals - immediate examination of hooves.
- Regular functional hoof trimming.

The latest research shows

- A lame cow costs at least € 450 per year.
- 85% of all lamenesses are caused by hoof diseases.
- If 1/3 of a 100-cow farm is paralysed, an economic loss of € 15,000 per year occurs.

INTERNATIONALLY CERTIFIED AWARDED

Awards from renowned organisations for technology, safety and design.

Further education and cooperation are principles. Above-average development activity ensures progress.

Strict selection of suppliers, even taking their geographical location into consideration, ensures quality standards and protects the environment due to the short distances.

WHAT MAKES ROSENSTEINER AN PREMIUM BRAND:

Rosensteiner hoof trimming crushes upgrade your work to dignified skilled work with maximum comfort and safety. The user-friendly devices increase throughput and efficiency. Carefully selected and highly qualified sales partners provide security and service on site. The quality and level of our products will increase to the satisfaction of hoof trimmers, veterinarians, farmers and animals!

Well thought out, well made.



Rosensteiner GmbH

A-4596 Steinbach/Steyr - Zehetner 26a

Tel. +43 (0) 7257/7071

Fax +43 (0) 7257/7071-4

info@rosensteiner.at

www.rosensteiner.at/en

Your qualified dealer for hoof trimming crushes in your area