



Centralised, simple operation;
fully hydraulic foot holders

A COMPLETE SYSTEM FOR HOOF TRIMMERS AND INNOVATIVE DAIRY FARMS, OPTIMISED TO YOUR NEEDS!

Unit versions and equipment options
for individual requirements.

As standard

- Centralised and simple operation
- Hydraulic drive-in gate and safety catch for easy driving in
- Adaptive, hydraulic belt system, automatically adjusts to the size of the animal
- Fully hydraulic leg holder system for catching all four legs in seconds
- Tool holder
- Emergency program connection for operation without power

Accessories

- Large toolbox (volume 1200 l)
- Trapping grid mounting
- Trapping grid connection
- Trapping grid set
- Swivelling tow bar
- Additional tool holders
- Roof system
- Radio controller
- 230V version
- Many other solutions for individual requirements possible

Recommended animal size	approx. 450 to 1100 kg
Mains connection	400 V, 50 Hz
Drive	High-quality 400 V hydraulic unit
Surface	Fully galvanised base frame, high-quality powder coating

Complete technical data and exact dimensional sketches for all available versions can be found at www.rosensteiner.at.

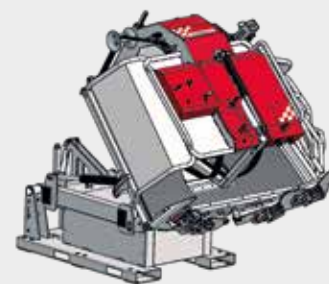


VERSIONS

Static

Designed for static operation on the farm

- Cat.II attachment
- Forklift truck attachment
- Ground attachment points



Trailer, TRANSVERSE tilting

Mobile version as a trailer

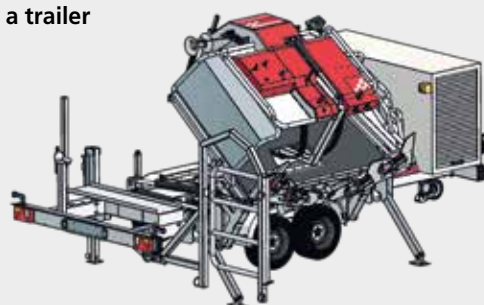
- Tandem trailer
- 4-fold hydraulic support
- Toolbox
- Ready to go in a few minutes



Trailer, LONGITUDINAL tilting

Mobile version as a trailer

- Tandem trailer
- 4-fold hydraulic support
- Toolbox
- Ready to go in a few minutes



HGV mounting

Mobile version on a small truck

- Hydraulic support
- Toolbox
- Ready to go in a few minutes
- Numerous options available



ALL YOU HAVE TO DO IS
GROOM THEM YOURSELF



Rosensteiner GmbH
A-4596 Steinbach/Steyr | Zehetner 26a
Tel. +43 (0) 7257/7071
Fax +43 (0) 7257/7071-4
info@rosensteiner.at
www.rosensteiner.at



QUICK. COMFORTABLE. SECURE.

THE INNOVATIVE HOOF TRIMMING AND TIPPING SYSTEM FOR REAL PROFESSIONALS!

The new RS-Q is the result of consistent further development and 35 years of experience with the tipping system. The RS-Q, developed together with professional hoof trimmers, offers you outstanding speed and throughput, comfortable and simple operation as well as the highest work safety with maximum animal welfare.



Drive-in takes place over the same level floor throughout. Hydraulic trapping and drive-in gates get the animal immediately into the "start position".

WORK **FASTER!** THE NEW DIMENSION IN HOOF TRIMMING.

Rapid drive-in

- The catching device is open to the bottom, the ground is the same level throughout. This way, we can avoid irritating the animal.
- A hydraulic drive-in gate gets even stubborn animals quickly and effortlessly into the right position in the crush.

Simple operation

- The centralised, intuitive operation ensures the best overview and the shortest routes throughout the entire hoof trimming process. No running around the crush is necessary!

Effortless securing of the animal

- The animal is secured in just a few seconds. The adaptive, fully hydraulic belt system automatically adapts to the respective animal size.
- The legs are caught in a few seconds and perfectly fixed for secure hoof trimming.

Rapid workflow, higher throughput

- Less than 30 seconds pass between the animal's first step into the crush and the time when all four hoofs are ready for care!
- Secure fixing of all four legs - under 10 seconds!
- From the trimming position to driving out - approx. 15 seconds!

Shorter distances - quicker work! This results in the highest throughput that a hoof trimmer can dream of!



Upright work position with a view of all four hoofs.

WORK **MORE COMFORTABLY!** ITS EASE OF OPERATION CREATES NEW COMFORT.

No force required

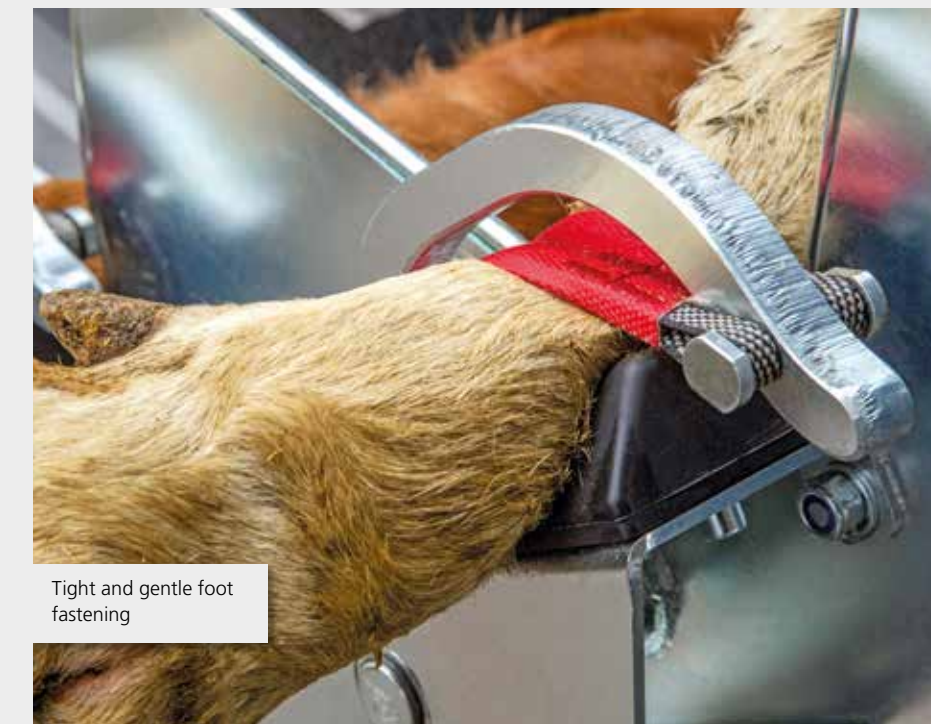
- Catch, put on the belt and fasten the leg - all fully hydraulic.

Simply straightforward

- The centrally located controls and ready-to-hand tools make work simpler and quicker.

Comfortable working height

- The tipping system allows all four hoofs to be trimmed at an ergonomic working height. Udder and abdominal examinations are easy to perform. Even veterinarians appreciate the elevated and clean workspace.



Tight and gentle foot fastening



Clean and secure working area over 2 metres

WORK **MORE SECURELY!** TIGHT, GENTLE SECURING OF THE ANIMAL ENSURES RISK-FREE WORK.

- The **fully hydraulic leg holders** fix the legs tightly and gently between a special rubber part and the snug foot strap.
- All **securing elements** around the animal are pre-set in terms of force and travel so that the animal is secured in exactly the right position. This will reduce the strain on the cattle and increase the comfort for the operator.
- The combination of **ergonomically shaped safety gear and raised head rest** provides additional relief for the shoulder area.
- The working area of only 2 metres allows clean and seamless trimming of all four hoofs. The hoof trimmer is always working **outside the danger zone during the process.**

